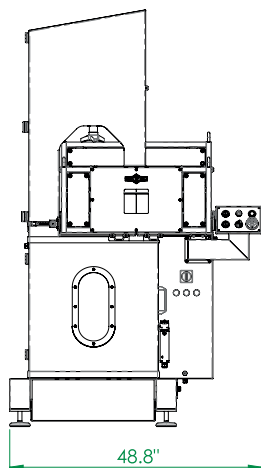
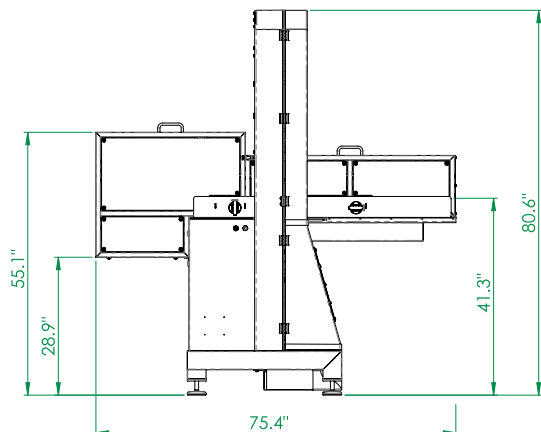


SPLITTER SAW LONGITUDINAL CUT

MAINALI
LONG LIFE TECHNOLOGY



The SPLITTER SAW with splitting conveyor has a special design with one saw that provides longitudinal cuts.

It has been developed to make the cuts safely and quickly. It is a continuous cycle machine, compact and easy to use

The machine consists of lateral traction belts or a tunnel, depending on the type of product to be cut.

The SPLITTER SAW stands out for its safety and versatility, it can be customized according to the customer's needs.

The operator, who is not specialized, has to introduce the product into the intake tunnel and it comes out on the other side cut into two pieces, avoiding the risk of labor accidents.

The SPLITTER SAW is capable of absorbing as many parts as an operator is able to feed into it, so the machine increases production exponentially and eliminates the risk of accidents at work.

ELECTRICAL POWER tunnel 5,5kW

ELECTRICAL POWER belts 6kW

WEIGHT 650Kg

VOLTAGE 380-490V III + T or 220V III+T

FOOTPRINT 75.4"L x 48.8"W x 80.6"H

Damped adjustment systems

Quick opening system

Pneumatic belt release system

MAINALI
LONG LIFE TECHNOLOGY

Les Serres 22, Cassà de la Selva - 17244 Girona - SPAIN
Tel. +34 972460476 WhatsApp +34 669491715

info@mainali.com
www.mainali.com